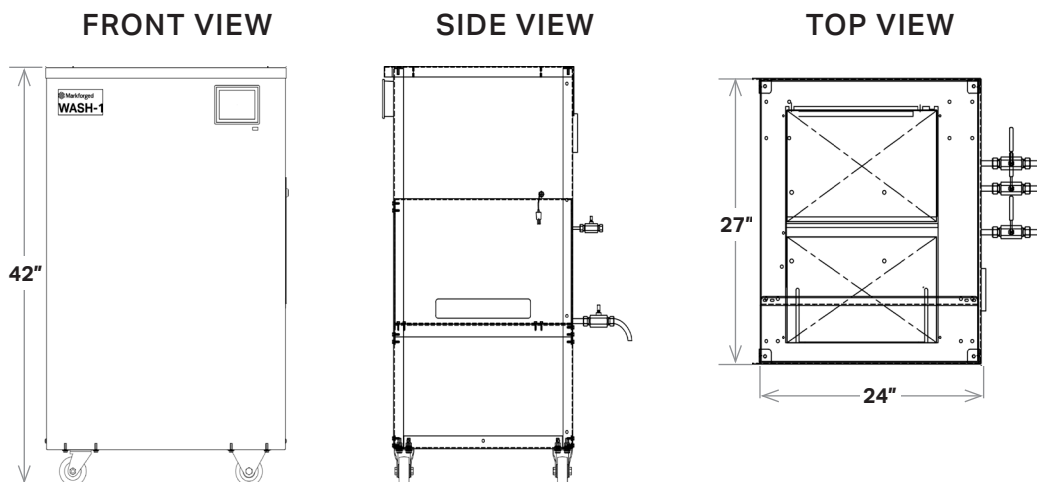


PRODUCT SPECIFICATIONS

Wash-1

The first step in transforming a printed “green” part into fully dense metal is debinding. The Wash-1 immerses the green part in a specialized fluid which dissolves the primary binding material, leaving the part semi-porous so the remaining binder can easily burn off during sintering. This debinding step purifies the final metal part and helps keep your sintering furnace clean.

Debinder Properties	Materials Supported	All metals
	Fluid (Solvent)	Opteon SF79, Opteon SF80, or Tergo Metal Cleaning Fluid
	Controller	Integrated control system
	Workholding	Stainless steel basket
	Washing Size	356 x 254 x 203 mm (14 x 10 x 8 in)
	Washing Volume	18,356 cm ³ (1,120 in ³)
Safety & Installation	Environmental Req.	External exhaust
	Safety Control	Low fluid shutoff control High vapor pressure shutoff control
	Regulatory	Refer to MSDS
	Emissions	Low emission design to conserve solvent
	Power	110-120 VAC single phase, 11A / 1,320W peak draw
	Physical Dimensions	External Dimensions
Weight		136 kg (300 lbs)



Note: All specifications are approximate and subject to change without notice.